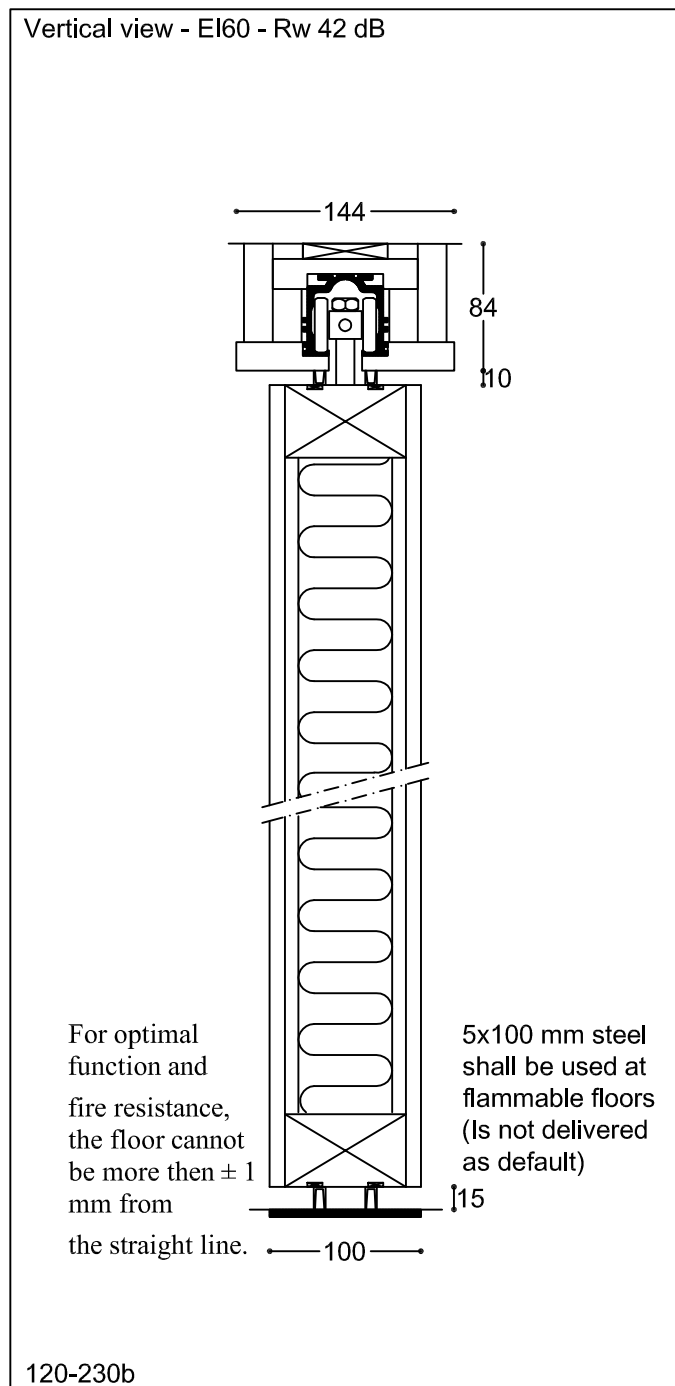
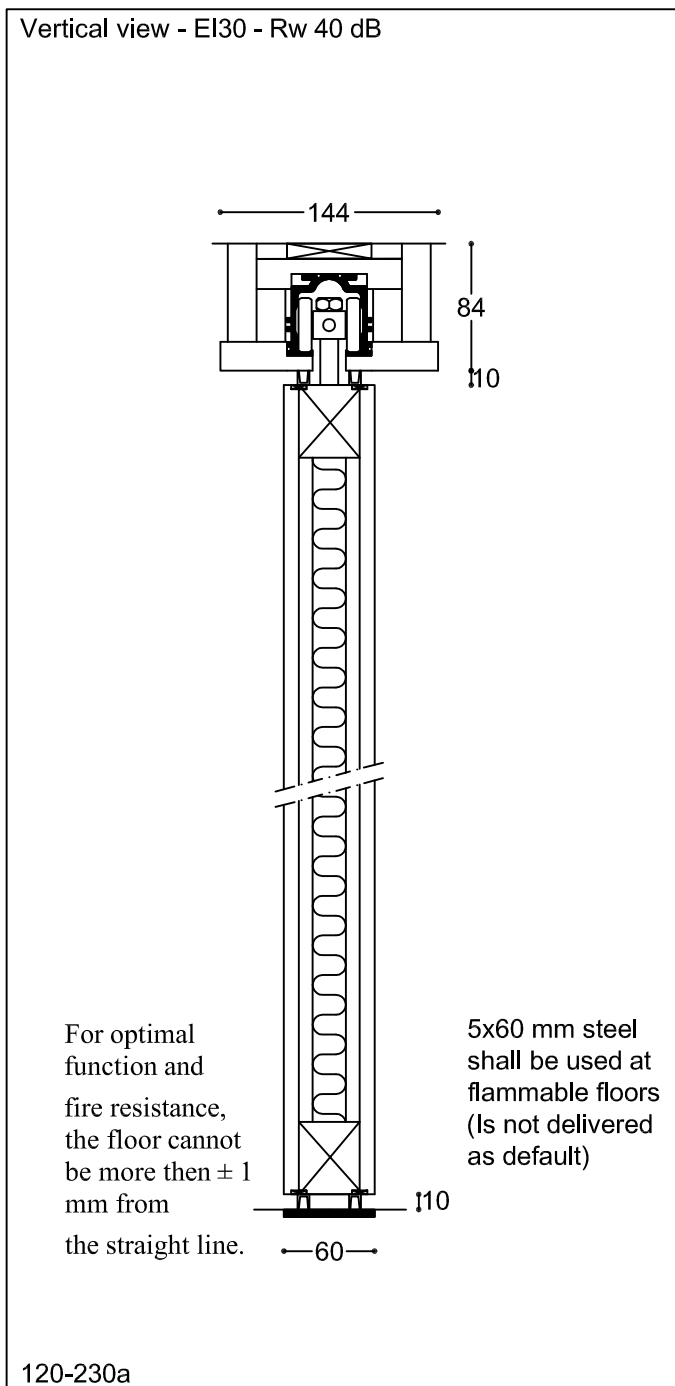


Folding Partition - EI30/EI60

SWG 120



120-230

Type Vertical view - EI30 - Rw 40 dB
Vertical view - EI60 - Rw 42 dB

Scale 1:5
Size in mm
Date 18.04.12
Rev.nr.:

SWG
Scandinavian Wall Group AB
Trastvägen 2
89051 Långviksmon
Telefon 0662-30265
Telefax 0662-30260

e-mail: info@swg.nu
homepage: www.swg.nu