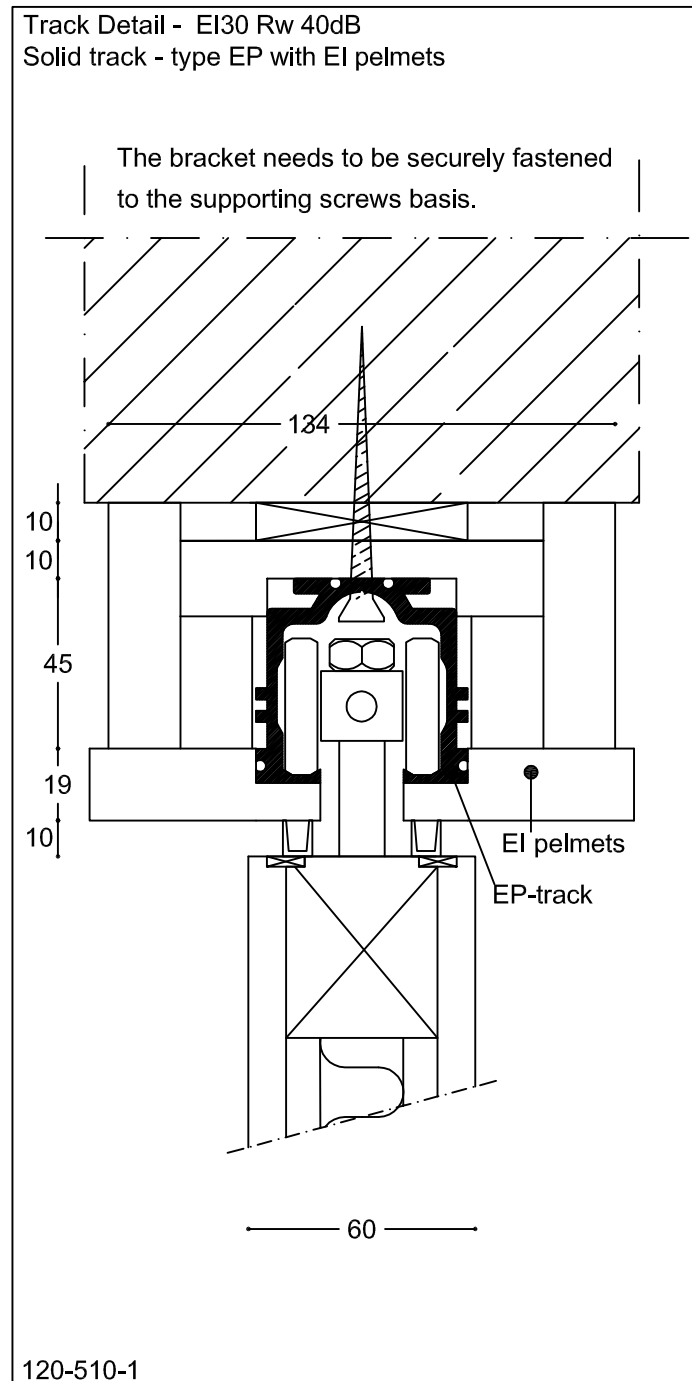


Folding Partition SWG 120



120-510-1

Type Track Detail - EI30 Rw 40dB
Solid track - type EP -
with EI pelmets

Scale 1:1
Size in mm
Date 19.04.12
Rev.nr.:

SWG
Scandinavian Wall Group AB
Trastvägen 2
89051 Långviksmon
Telefon 0662-30265
Telefax 0662-30260

e-mail: info@swg.nu
homepage: www.swg.nu