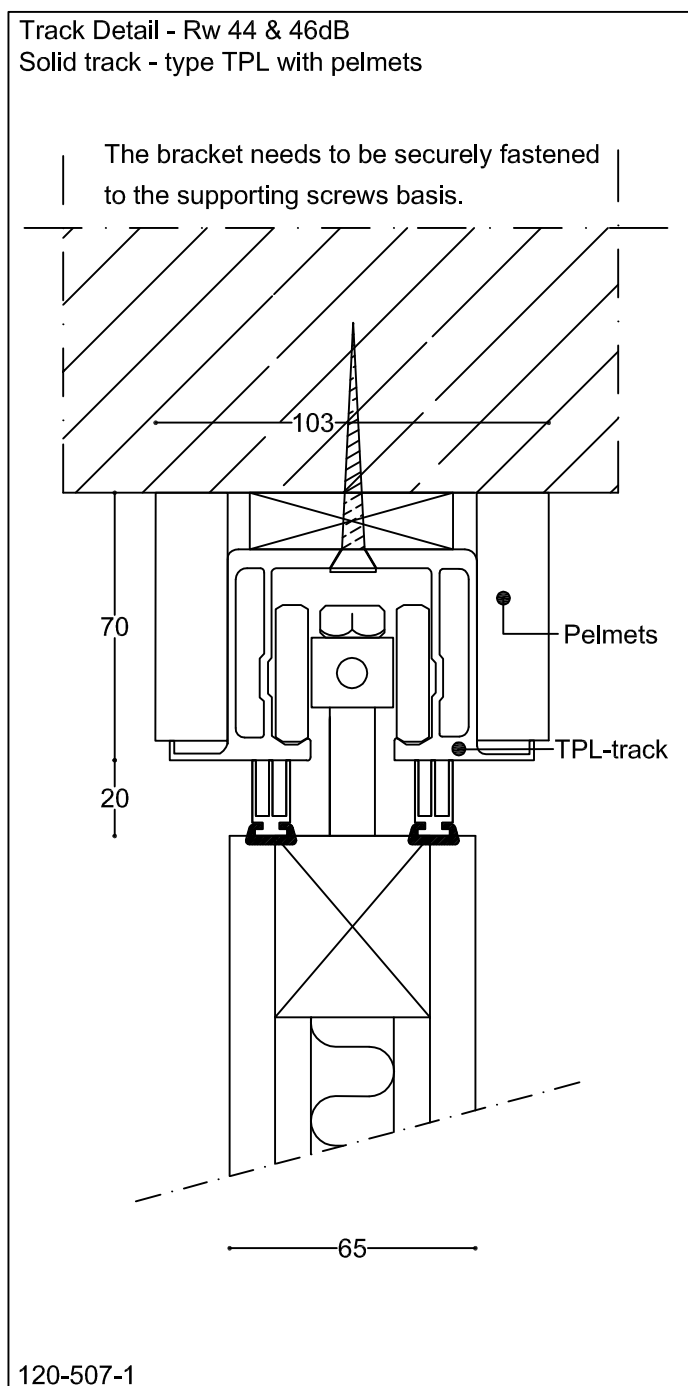


Folding Partition SWG 120



120-507-1

Type Track Detail - Rw 44 & 46dB
Solid track - type TPL
with pelmets

Scale 1:2
Size in mm
Date 19.04.12
Rev.nr.:

SWG
Scandinavian Wall Group AB
Trastvägen 2
89051 Långviksmon
Telefon 0662-30265
Telefax 0662-30260

e-mail: info@swg.nu
homepage: www.swg.nu