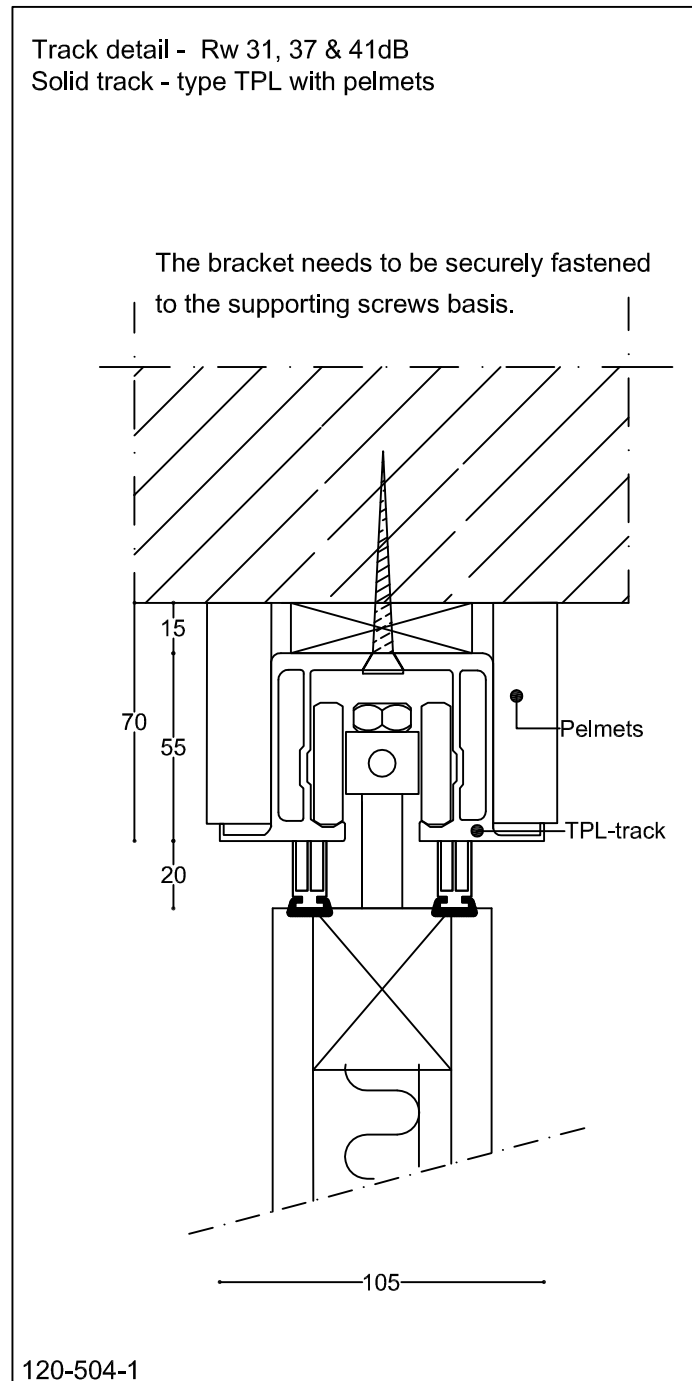


# Folding Partition SWG 120



120-504-1

Typ Track detail - Rw 31, 37 & 41dB  
Solid track - type TPL with pelmets

Skala 1:2  
Mått i mm  
Datum 19.04.12  
Rev.nr.:

**SWG**  
Scandinavian Wall Group AB  
Trastvägen 2  
89051 Långviksmon  
Telefon 0662-30265  
Telefax 0662-30260

e-mail: [info@swg.nu](mailto:info@swg.nu)  
homepage: [www.swg.nu](http://www.swg.nu)