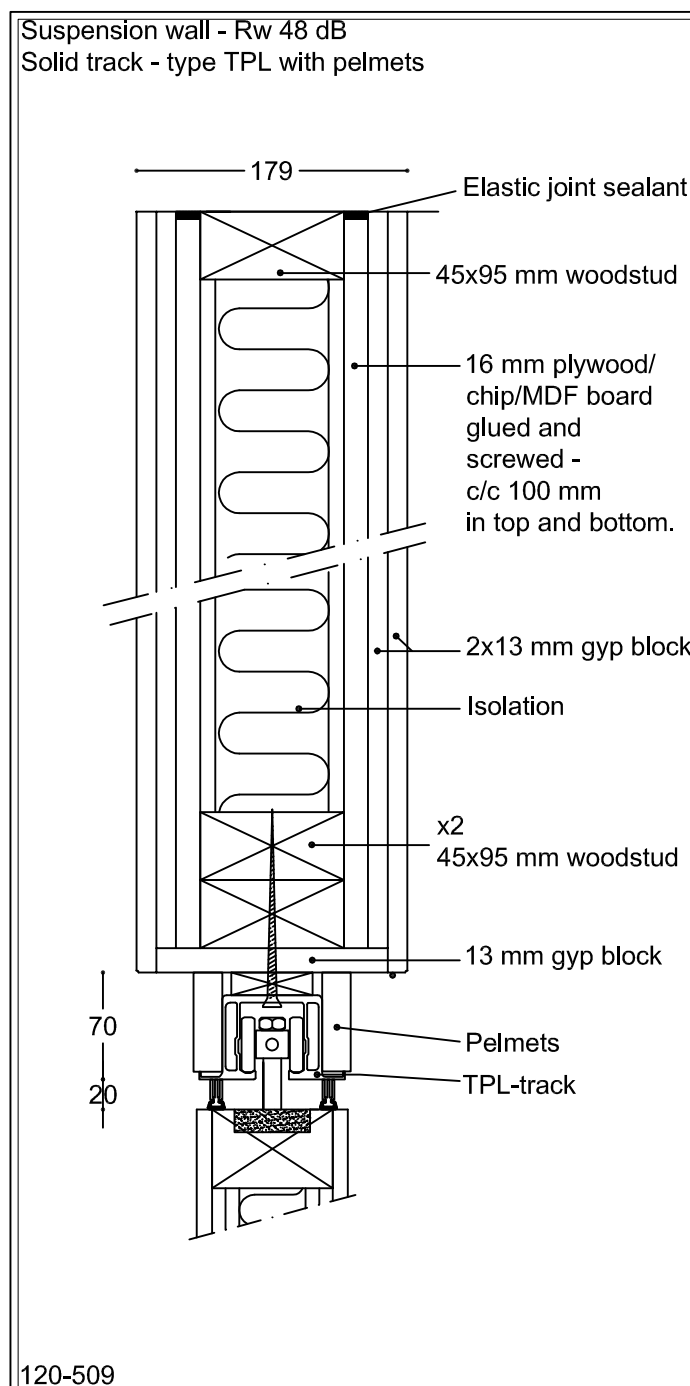


Folding Partition SWG 120



NOTE!

The upper wall must be properly attached to the overlying support structure, in comparison to the weight of the wall.

120-509

Type Suspension wall - Rw 48 dB
Solid track - type TPL
with pelmets

Scale 1:5
Size in mm
Date 19.04.12
Rev.nr.:

SWG
Scandinavian Wall Group AB
Trastvägen 2
89051 Långviksmon
Telefon 0662-30265
Telefax 0662-30260

e-mail: info@swg.nu
homepage: www.swg.nu