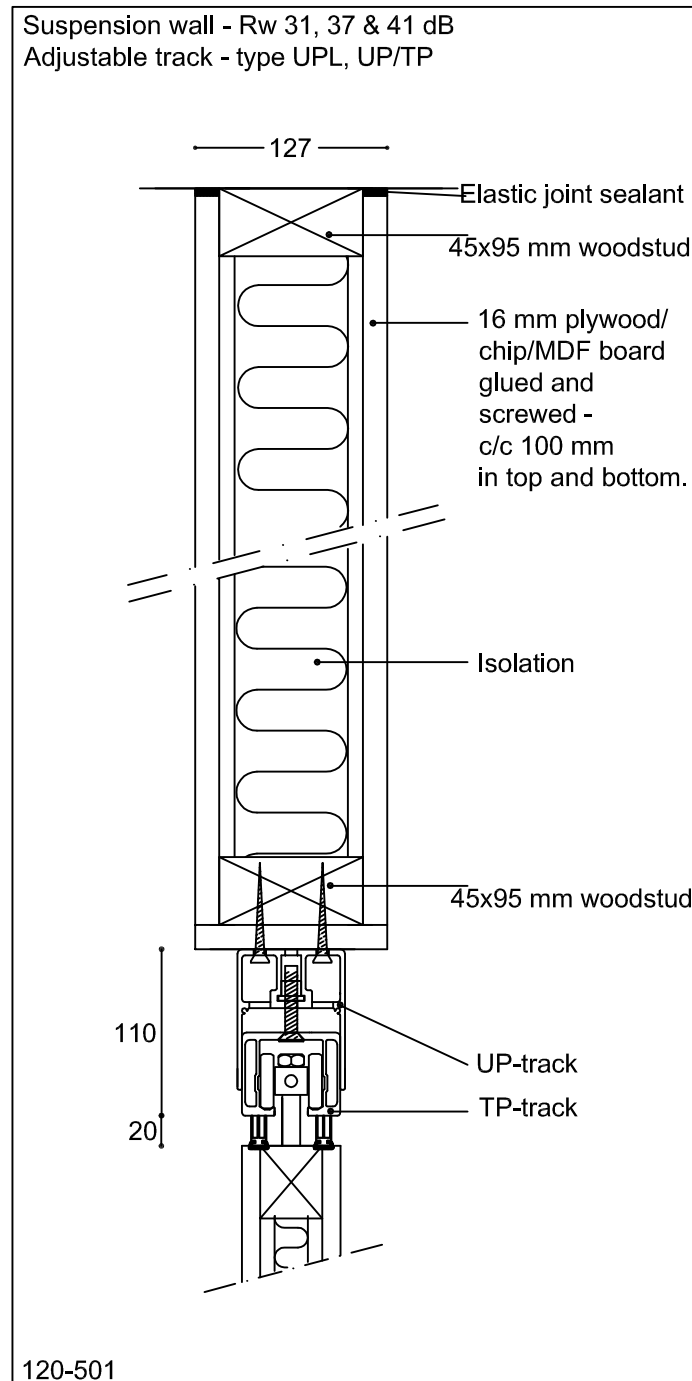


# Folding Partition SWG 120



## NOTE!

The upper wall must be properly attached to the overlying support structure in comparison to the weight of the wall.

## 120-501

Type Suspension wall -  
Rw 31, 37 & 41 dB  
Adjustable track - type UPL, UP/TP

Scale 1:5  
Size in mm  
Date 19.04.12  
Rev.nr.:

**SWG**  
Scandinavian Wall Group AB  
Trastvägen 2  
89051 Långviksmon  
Telefon 0662-30265  
Telefax 0662-30260

e-mail: [info@swg.nu](mailto:info@swg.nu)  
homepage: [www.swg.nu](http://www.swg.nu)