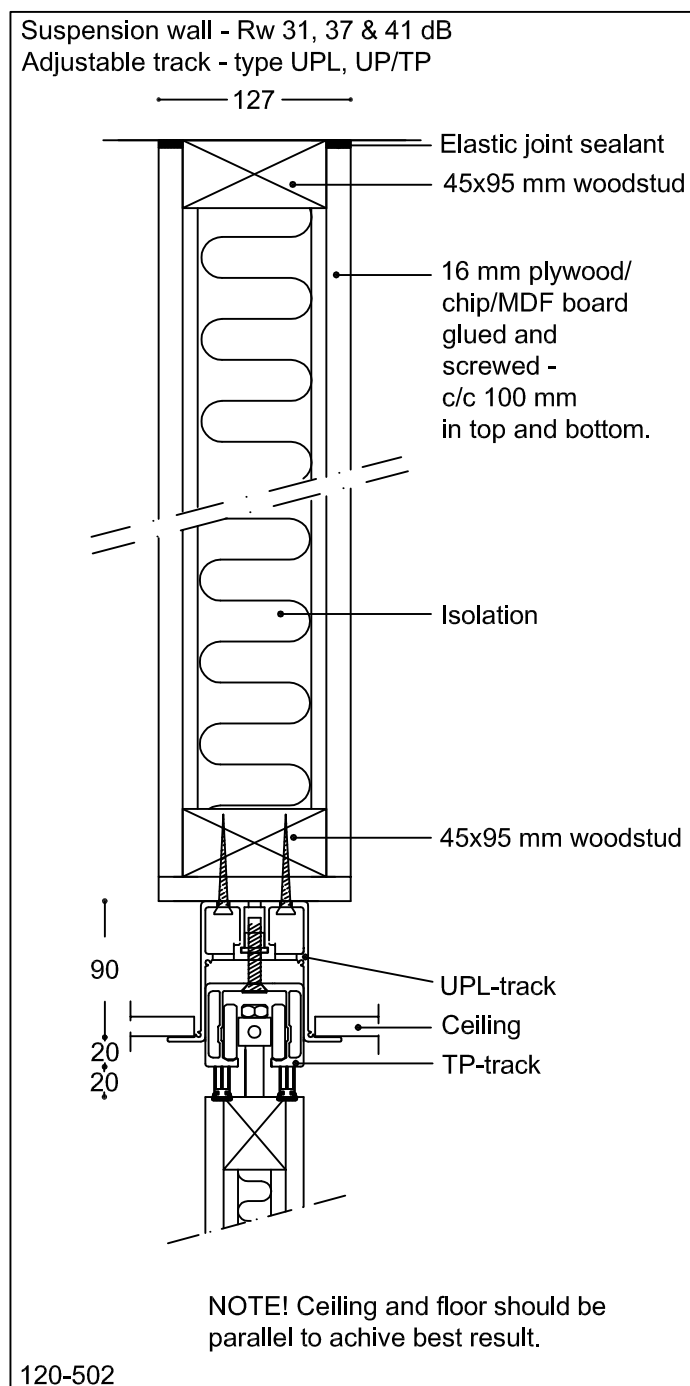


# Folding Partition SWG 120



## NOTE!

The upper wall must be properly attached to the overlying support structure, in comparison to the weight of the wall.

## 120-502

Type Suspension wall - Rw 31, 37 & 41 dB  
Adjustable track - type UPL, UP/TP

Scale 1:5  
Size in mm  
Date 19.04.12  
Rev.nr.:

**SWG**  
Scandinavian Wall Group AB  
Trastvägen 2  
89051 Långviksmon  
Telefon 0662-30265  
Telefax 0662-30260

e-mail: info@swg.nu  
homepage: www.swg.nu