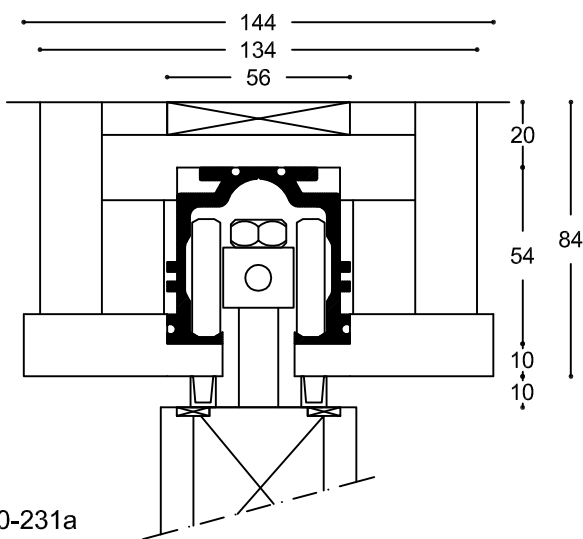


Folding Partition - EI30/EI60

SWG 120

Ceiling tracks - EI30/60 - Type 84-134



120-231a

Description

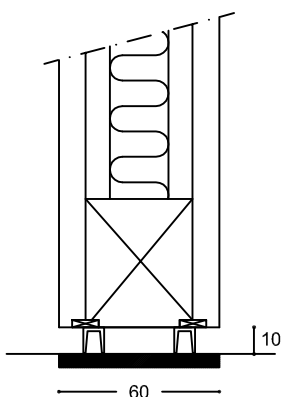
EI30:
Fire test by. DS 1051.1
Panel edges without alu-profiles.

EI60:
Fire test by. SIS 02 48 20 and .2/ISO 834
Panel edges with alu-profiles.
In general:

The panels can only be manufactured as top hung.
End panel can be delivered as a doorpanel with lockcase - ASSA 565
Delivery excludes steel for flammable floor surfaces.

Floor track- EI30/60 - Center-hung

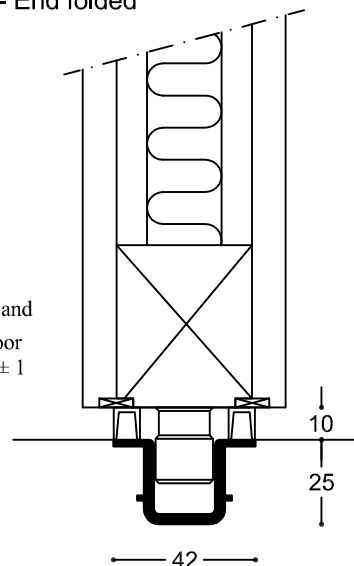
For optimal function and fire resistance, the floor cannot be more then ± 1 mm from the straight line.



120-231b

Floor track - EI30/60 - End folded

For optimal function and fire resistance, the floor cannot be more then ± 1 mm from the straight line.



120-231c

120-231

Type Ceiling tracks - EI30/60 - Type 84-134
Floor track- EI30/60 - Center-hung
Floor track - EI30/60 - End folded
Description

Scale 1:2
Size in mm
Date 03.04.12
Rev.nr.: B

SWG
Scandinavian Wall Group AB
Trastvägen 2
89051 Långviksmon
Telefon 0662-30265
Telefax 0662-30260

e-mail: info@swg.nu
homepage: www.swg.nu