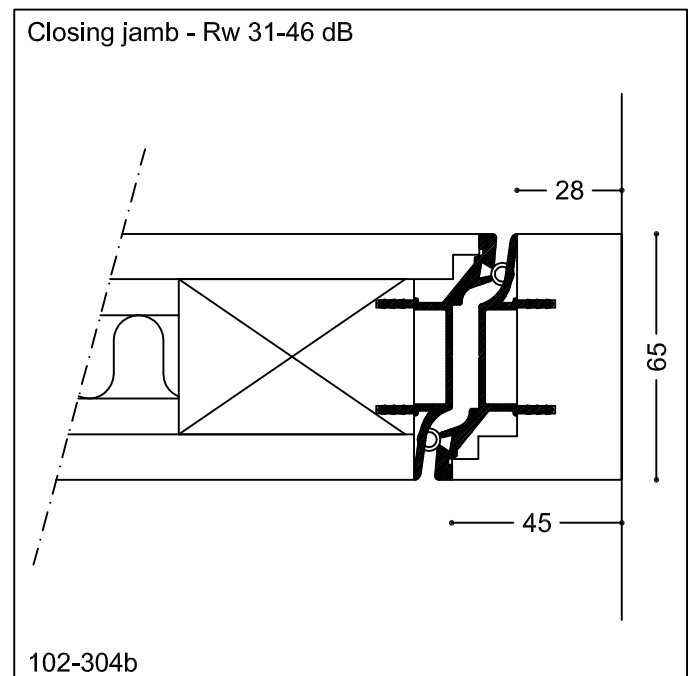
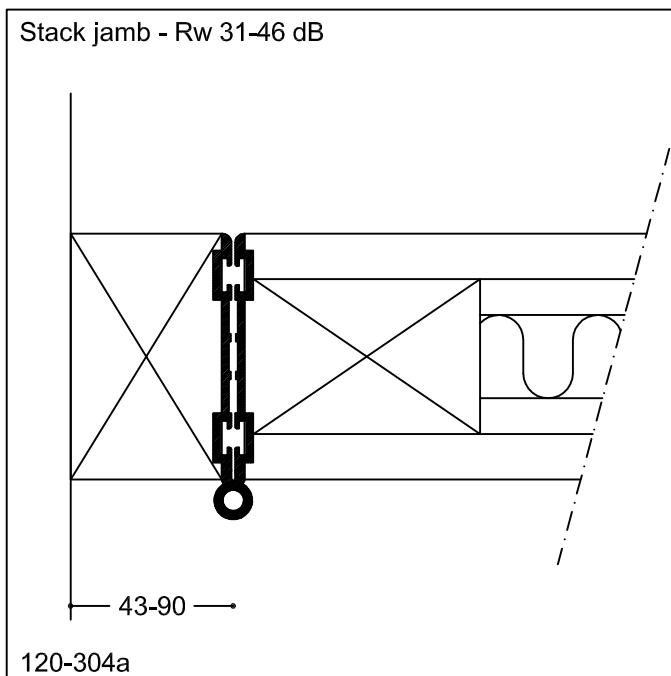


# Folding Partition SWG 120



120-304

Type Stack jamb - Rw 31-46 dB  
Closing jamb - Rw 31-46 dB

Scale 1:2  
Size in mm  
Date 19.04.12  
Rev.nr.: A

**SWG**  
Scandinavian Wall Group AB  
Trastvägen 2  
89051 Långviksmon  
Telefon 0662-30265  
Telefax 0662-30260

e-mail: [info@swg.nu](mailto:info@swg.nu)  
homepage: [www.swg.nu](http://www.swg.nu)