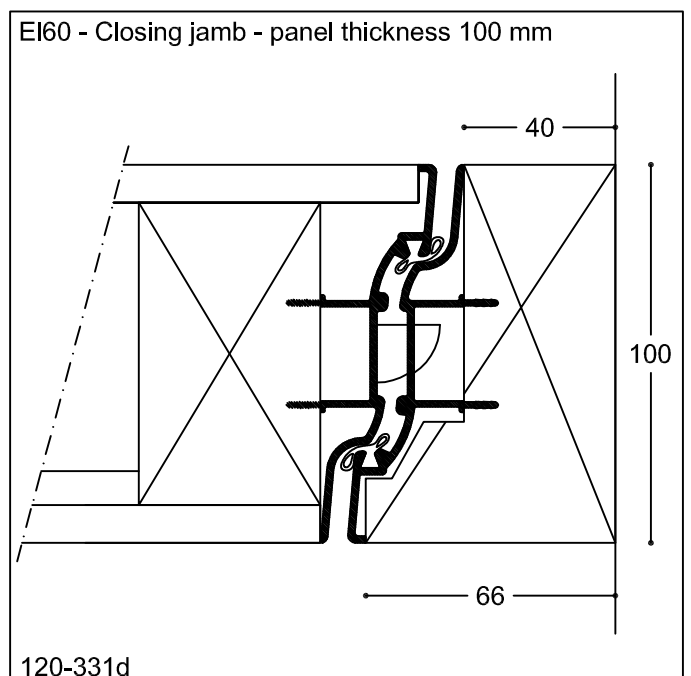
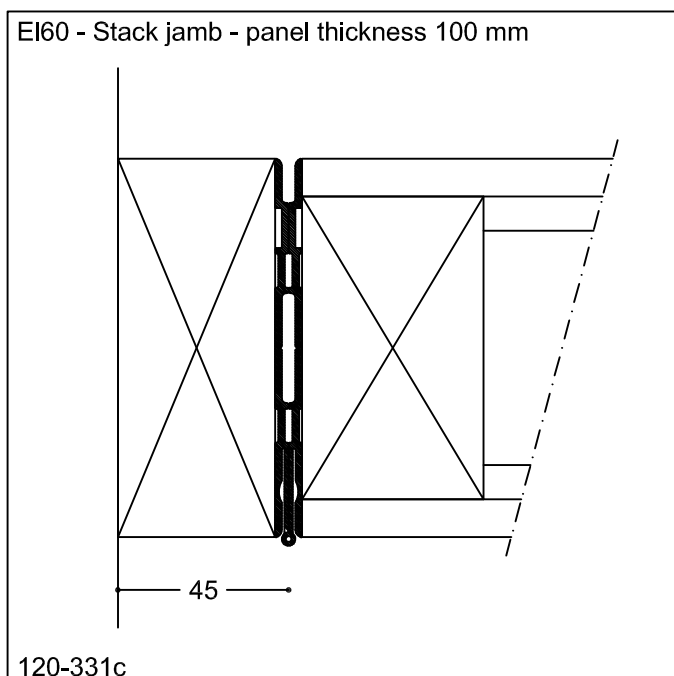
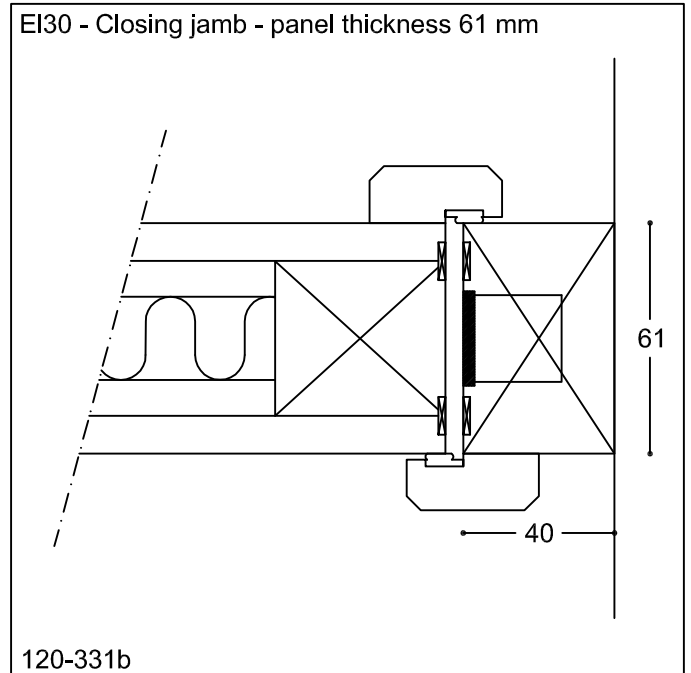
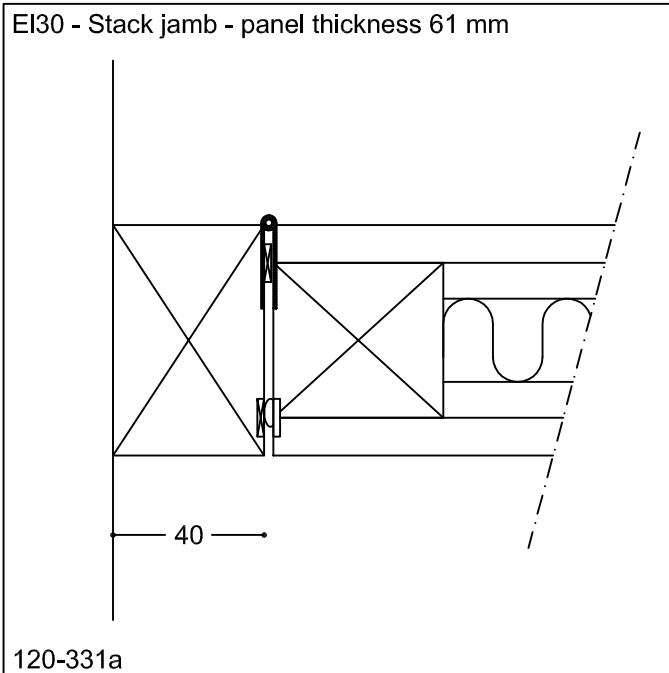


Folding Partition SWG 120



120-331

Type EI30 - Stack jamb - 61 mm
EI30 - Closing jamb - 61 mm
EI60 - Stack jamb - 100 mm
EI60 - Closing jamb - 100 mm

Scale 1:2
Size in mm
Date 19.04.12
Rev.nr.: A

SWG
Scandinavian Wall Group AB
Trastvägen 2
89051 Långviksmon
Telefon 0662-30265
Telefax 0662-30260

e-mail: info@swg.nu
homepage: www.swg.nu