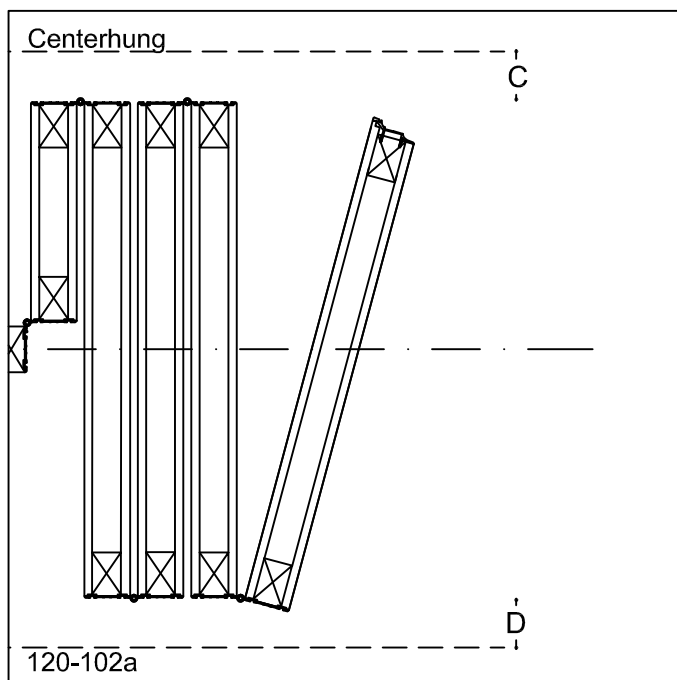


Folding Partition SWG 120



Type Overview

Sound - Fire - Thickness - Weight - Max.height

Rw	EI	Thickness	Kg/m ²	Max.height
31	–	65 mm	19	4000 mm
37	–	65 mm	20	4000 mm
41	–	65 mm	28	4000 mm
44	–	65 mm	30	4000 mm
46	–	65 mm	39	4000 mm
48	–	100 mm	47	3000 mm
40	30	61 mm	30	3000 mm
42	60	100 mm	40	3000 mm

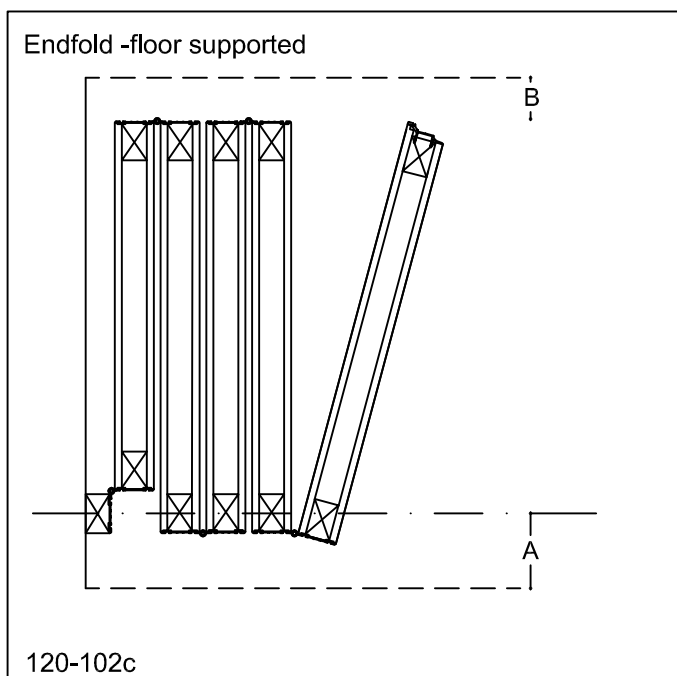
Soundmeasured by. EN ISO 140/3

Fire resistance EI30 tested by. DS 1051.1

Fire resistance EI60 tested by. SIS 02 48 20 utg.2/ISO 834

OBS! By choosing EI30 or EI60 we always recommend that you contact the lokal fire department for more information.

120-102b



Distance requierments when parking.

Minimum distance to the wall.

	A	B	C	D
61/65 mm thickness	155	95	95	95
100 mm thickness	185	130	130	130

Calculation of the parking depth

EI30	Nr of panels. x 66 mm (+ 45 mm)
31-46dB	Nr of panels. x 75 mm (+ 45-90mm)
EI60	Nr of panels. x 105 mm (+ 45 mm)
48dB	Nr of panels. x 112 mm(+45-105 mm)

Panel width

When calculating panel size, you need to consider the weight and its management.

Please contact us if you have any specific wishes or requirements at: info@swg.nu

120-102d

120-102

Type Centerhung
Type Overview
Endfold - floor supported
Distance requierments when parking

Scale
Size in mm
Date 16.04.12
Rev.nr.: D

SWG
Scandinavian Wall Group AB
Trastvägen 2
890 51 Långviksmon
Telefon 0662-30265
Telefax 0662-30260

e-mail: info@swg.nu
homepage: www.swg.nu