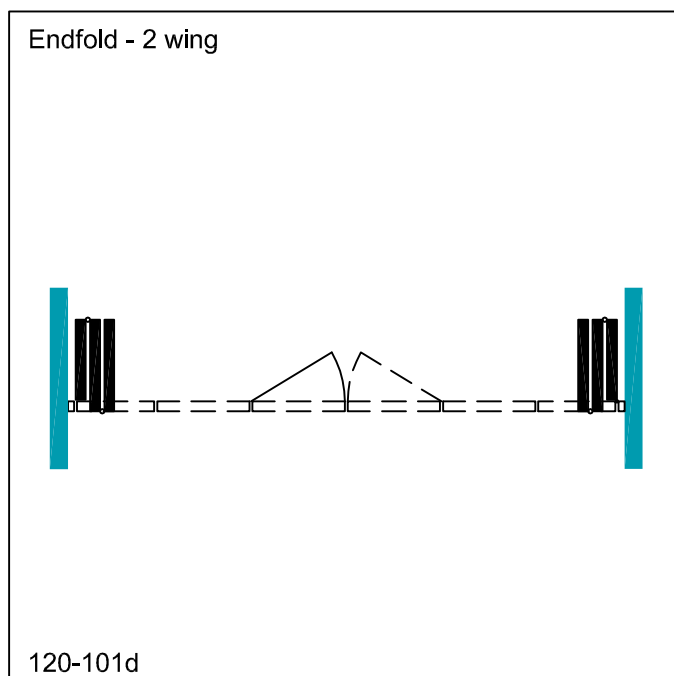
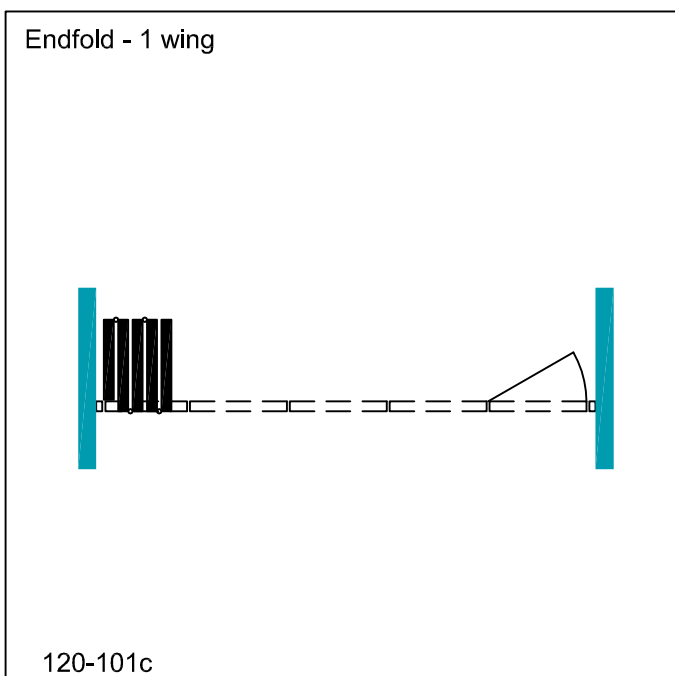
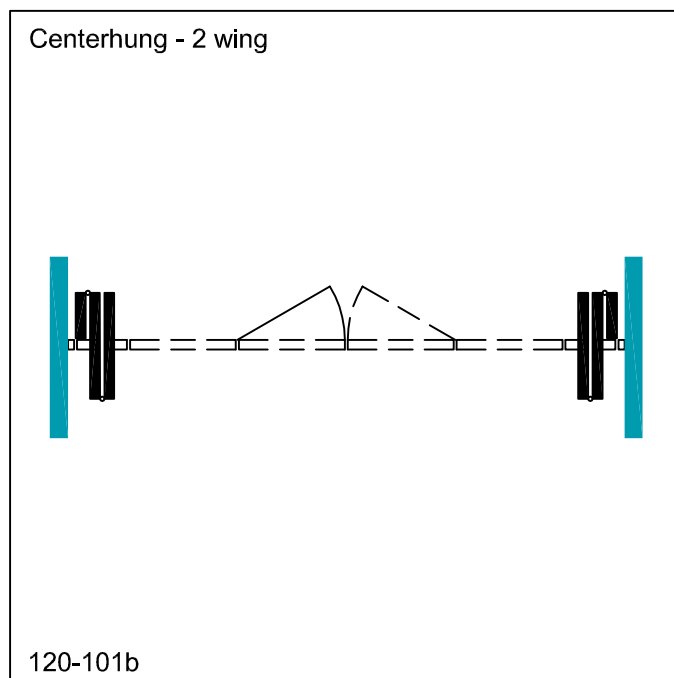
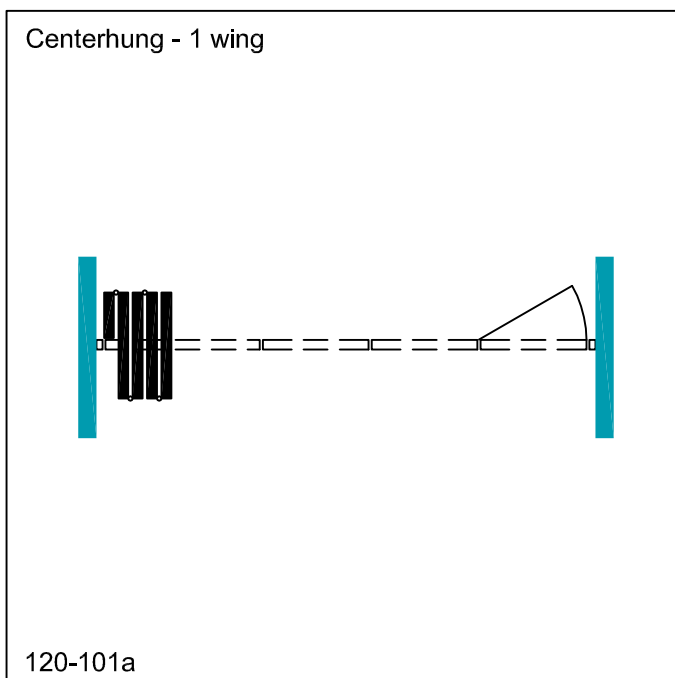


# Folding Partition SWG 120



## 120-101

Type Centerhung - 1 wing  
Centerhung - 2 wing  
Endfold - 1 wing  
Endfold - 2 wing

Scale 1:50  
Size in mm  
Date 16.04.12  
Rev.nr.:

**SWG**  
Scandinavian Wall Group AB  
Trastvägen 2  
89051 Långviksmon  
Telefon 0662-30265  
Telefax 0662-30260

e-mail: [info@swg.nu](mailto:info@swg.nu)  
homepage: [www.swg.nu](http://www.swg.nu)