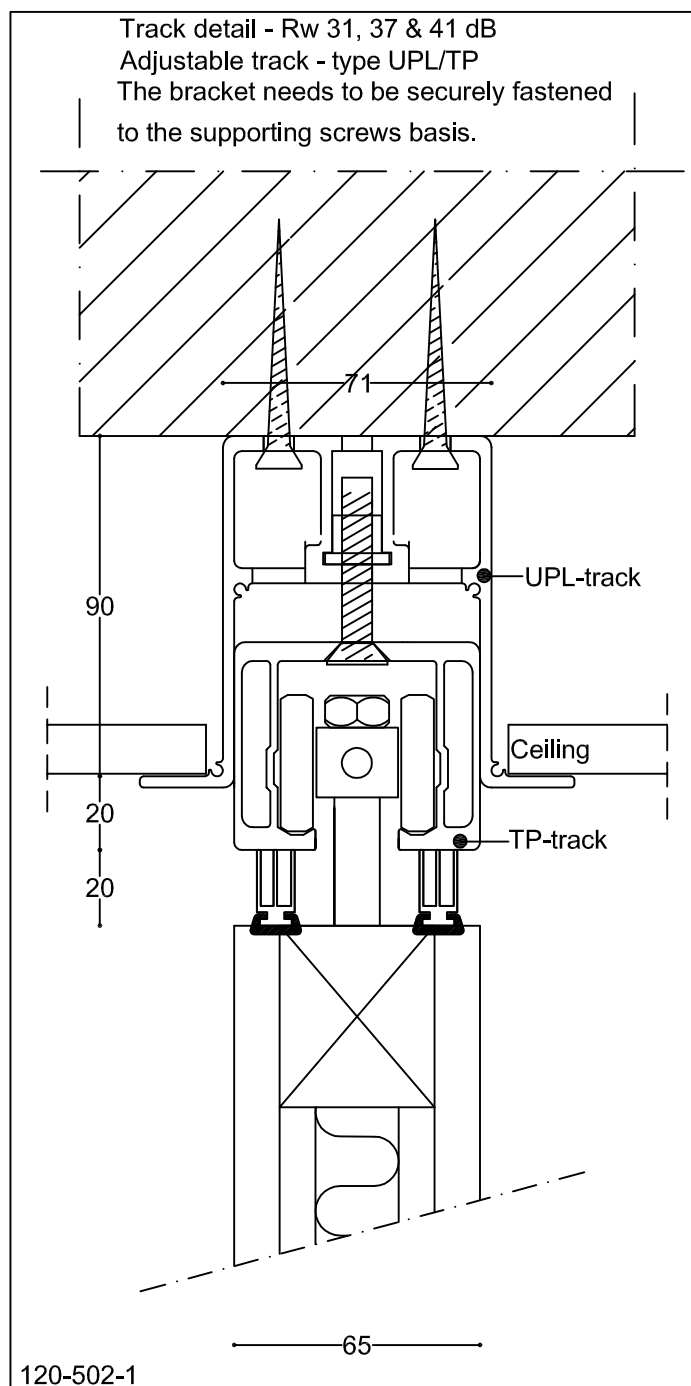


Folding Partition SWG 120



Installation dimensions
- 90 x 90 mm

120-502-1

Type Track detail - Rw 31, 37 & 41 dB
Adjustable track - type UPL/TP

Scale 1:2
Size in mm
Date 19.04.12
Rev.nr.:

SWG
Scandinavian Wall Group AB
Trastvägen 2
89051 Långviksmon
Telefon 0662-30265
Telefax 0662-30260

e-mail: info@swg.nu
homepage: www.swg.nu