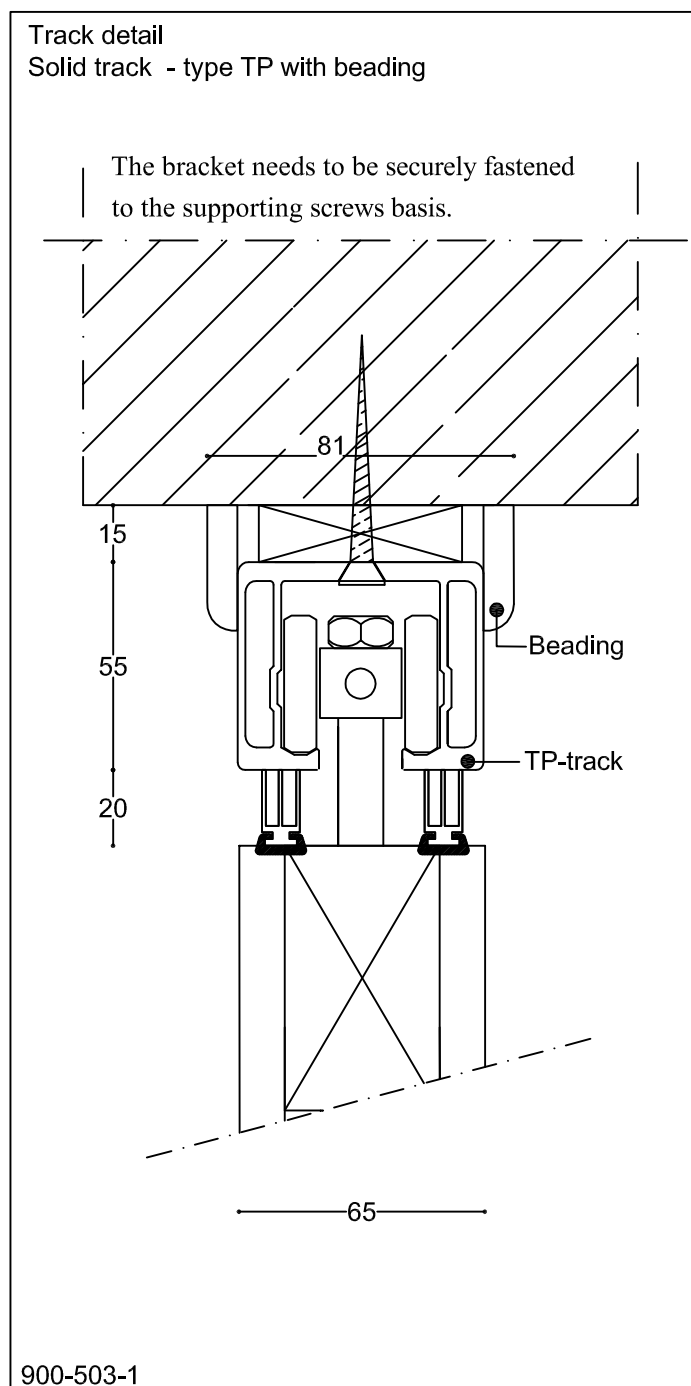


Glazed Folding Partition SWG 900



900-503-1

Type Track detail
Solid track - Type TP with beading

Scale 1:2
Size in mm
Date 20.04.12
Rev.nr.:

SWG
Scandinavian Wall Group AB
Trastvägen 2
89051 Långviksmon
Telefon 0662-30265
Telefax 0662-30260

e-mail: info@swg.nu
homepage: www.swg.nu