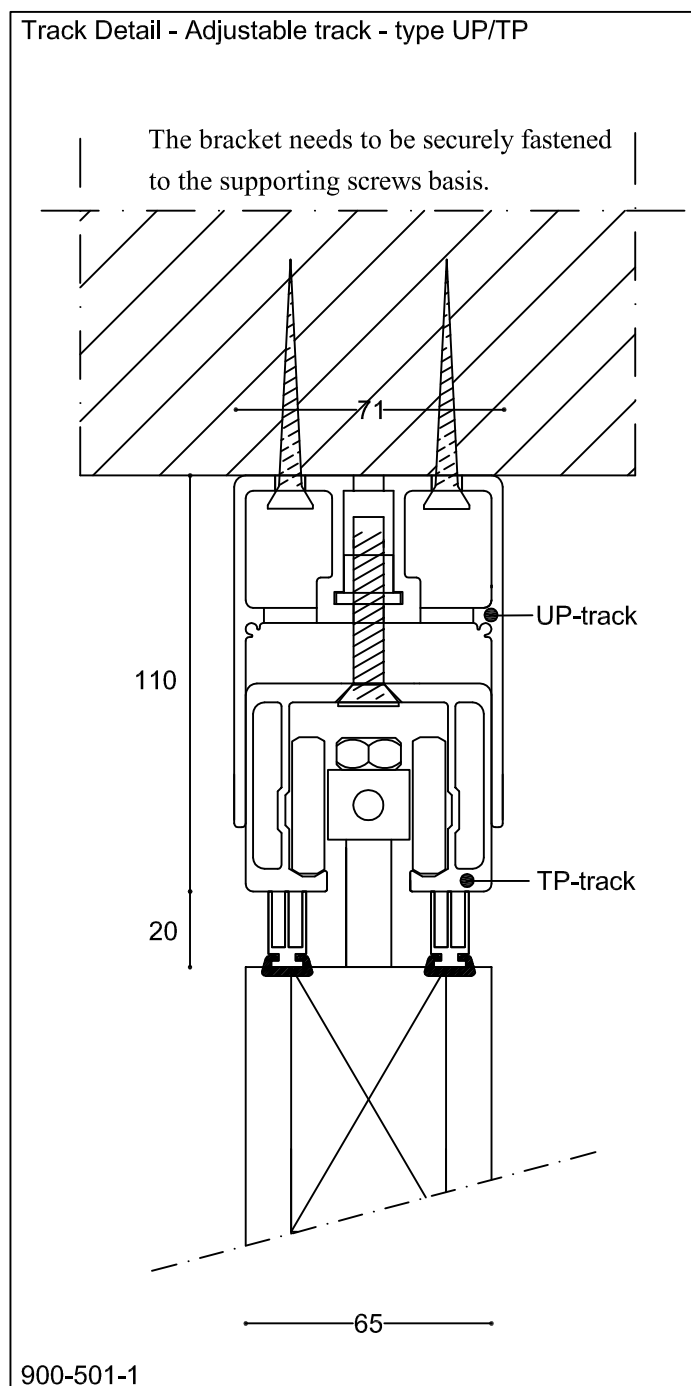


# Glazed Folding Partition SWG 900



900-501-1

Type Track Detail  
Adjustable track - type UP/TP

Scale 1:2  
Size in mm  
Date 20.04.12  
Rev.nr.:

**SWG**  
Scandinavian Wall Group AB  
Trastvägen 2  
89051 Långviksmon  
Telefon 0662-30265  
Telefax 0662-30260

e-mail: [info@swg.nu](mailto:info@swg.nu)  
homepage: [www.swg.nu](http://www.swg.nu)