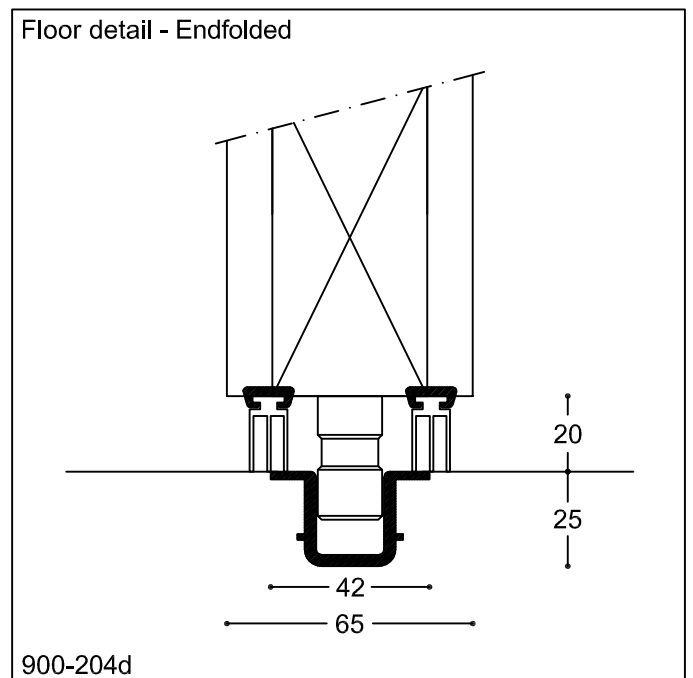
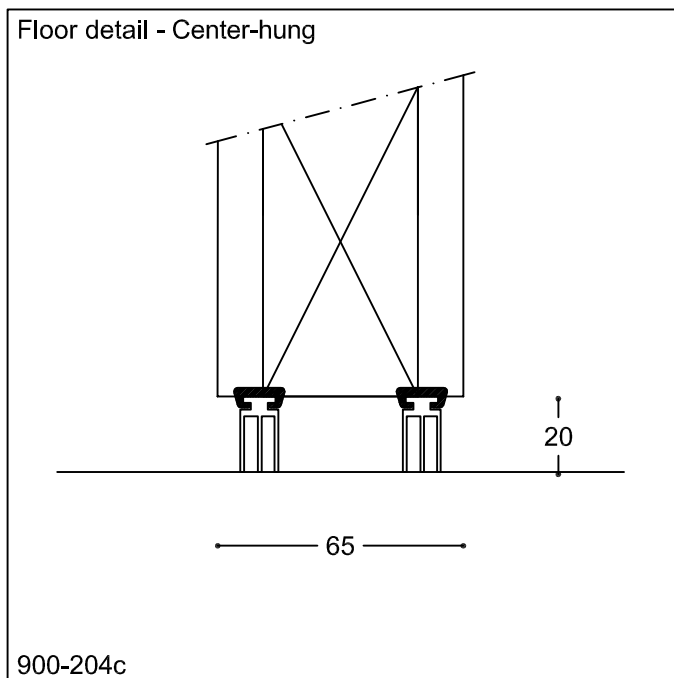
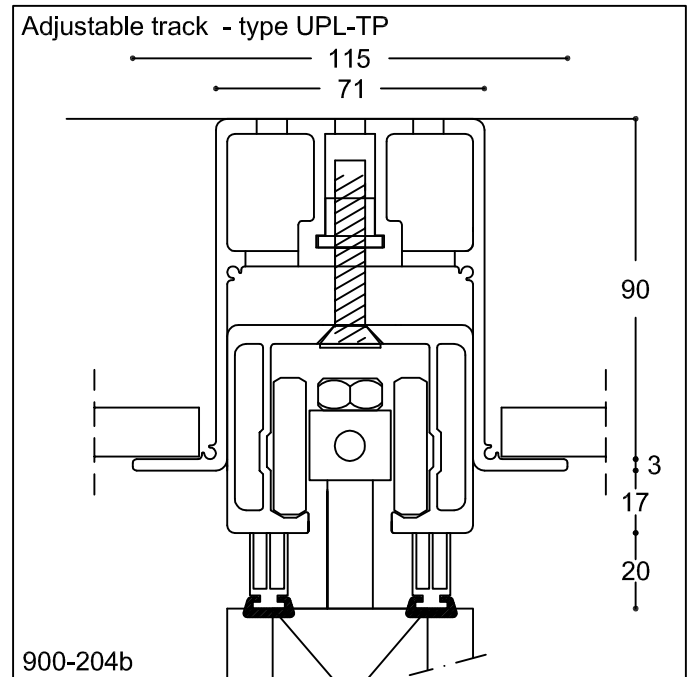
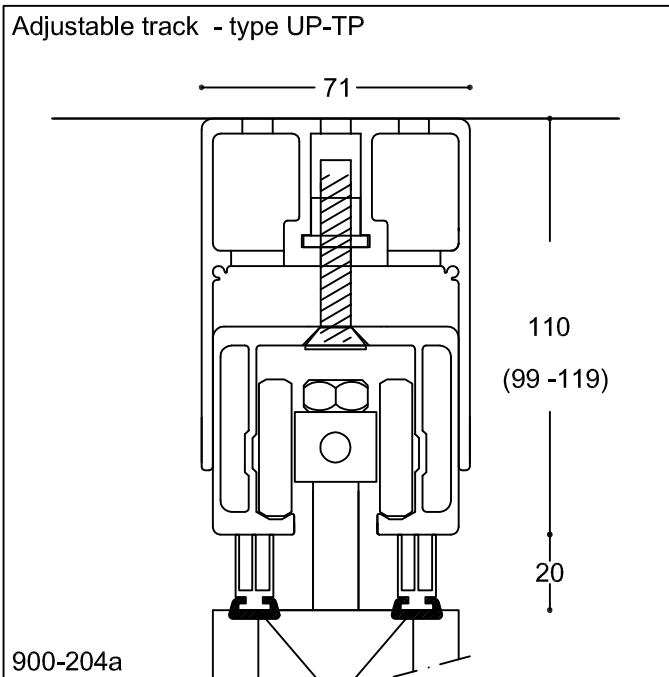


Glazed Folding Partition SWG 900



900-204

Type Adjustable track - type UP-TP
Adjustable track - type UPL-TP
Floor detail - Center-hung
Floor detail - Endfolded

Scale 1:2
Size in mm
Date 20.04.12
Rev.nr.:

SWG
Scandinavian Wall Group AB
Trastvägen 2
89051 Långviksmon
Telefon 0662-30265
Telefax 0662-30260

e-mail: info@swg.nu
homepage: www.swg.nu