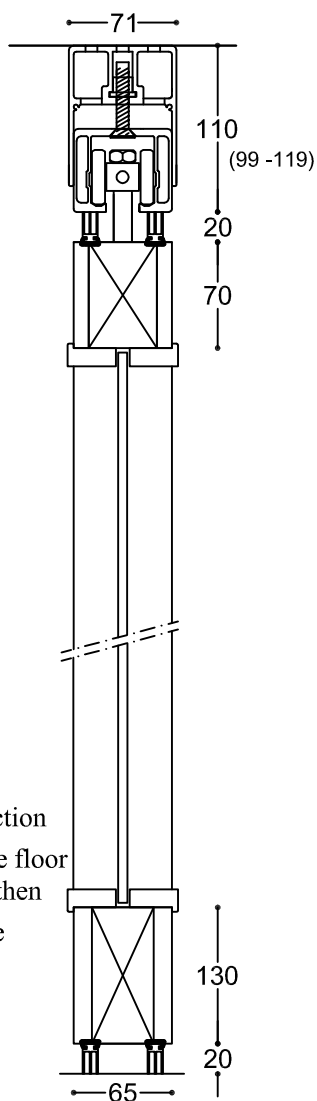


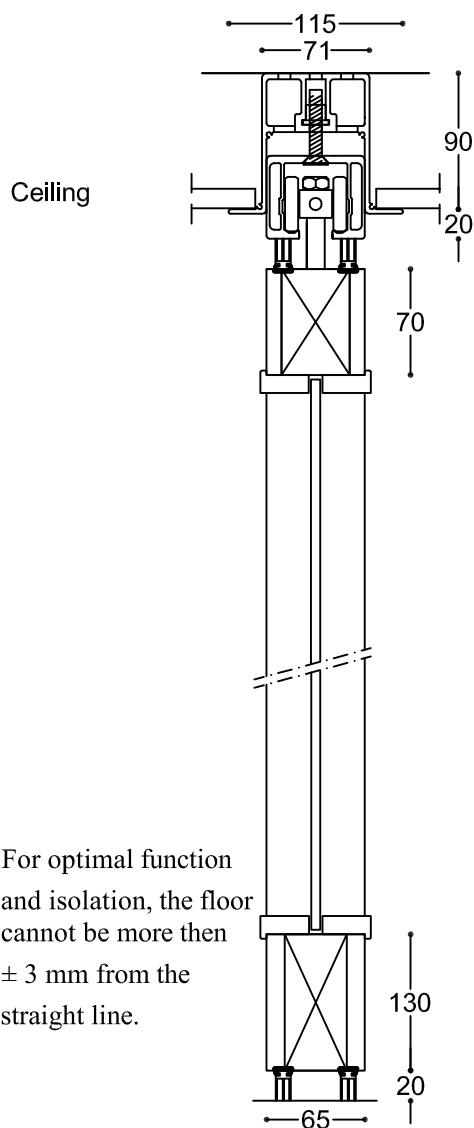
# Glazed Folding Partition SWG 900

Vertical view - Ceiling suspension - visible track



900-203a

Vertical view - Ceiling suspension - integrated



900-203b

## 900-203

Type Vertical view - Ceiling suspension  
visible track  
Vertical view - Ceiling suspension  
integrated

Scale 1:5  
Size in mm  
Date 20.04.12  
Rev.nr.:

**SWG**  
Scandinavian Wall Group AB  
Trastvägen 2  
89051 Långviksmon  
Telefon 0662-30265  
Telefax 0662-30260

e-mail: info@swg.nu  
homepage: www.swg.nu