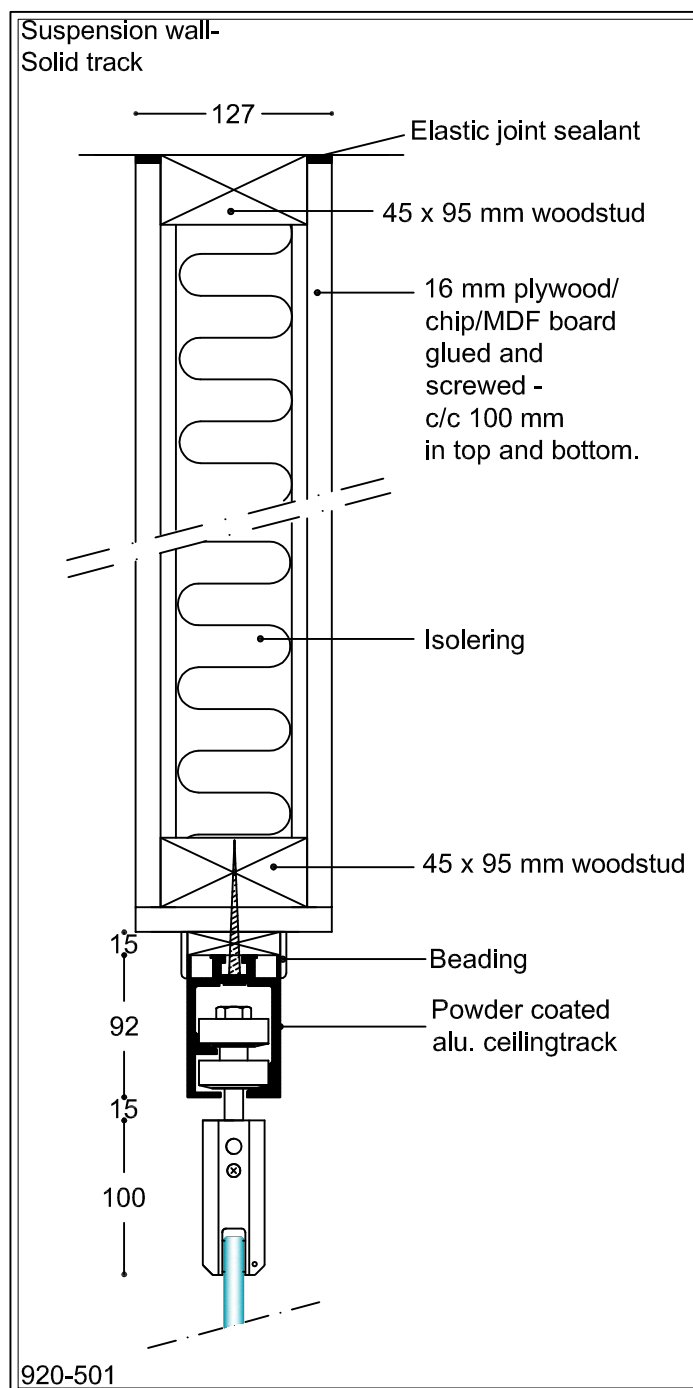


Frameless Glass Mobile Partition SWG 920



NOTE!

The upper wall must be properly attached to the overlying support structure in comparison to the weight of the wall.

920-501

Type	Suspension wall- Solid track Powder coated alu. ceiling track with beading
Scale	1:5
Size in mm	
Date	23.04.12
Rev.nr.:	

SWG
Scandinavian Wall Group AB
Trastvägen 2
89051 Långviksmon
Telefon 0662-30265
Telefax 0662-30260

e-mail: info@swg.nu
homepage: www.swg.nu