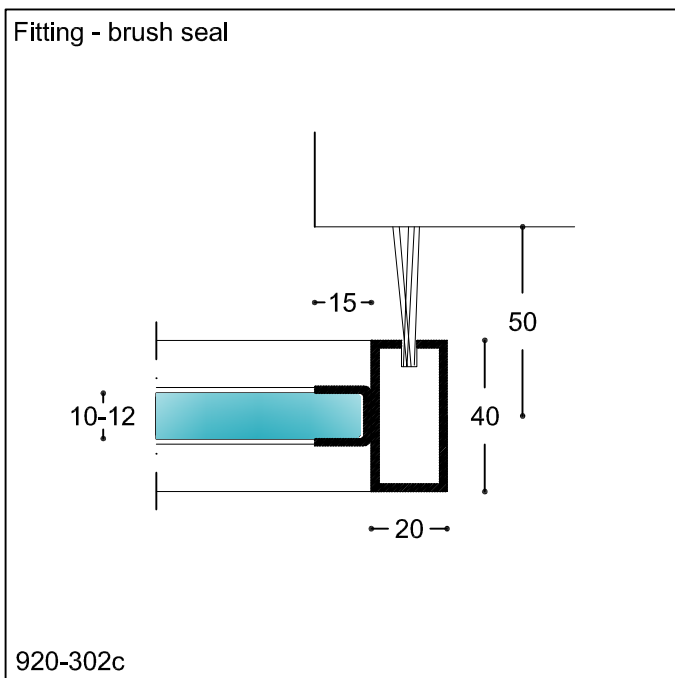
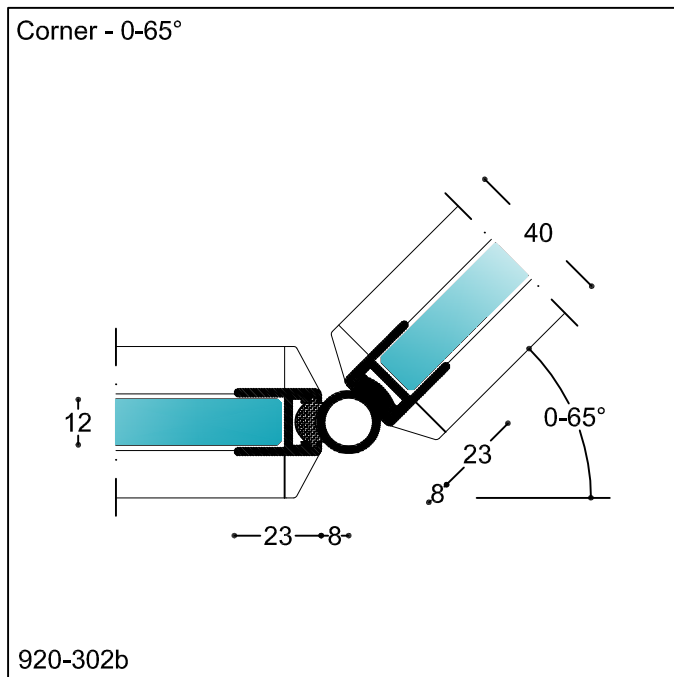
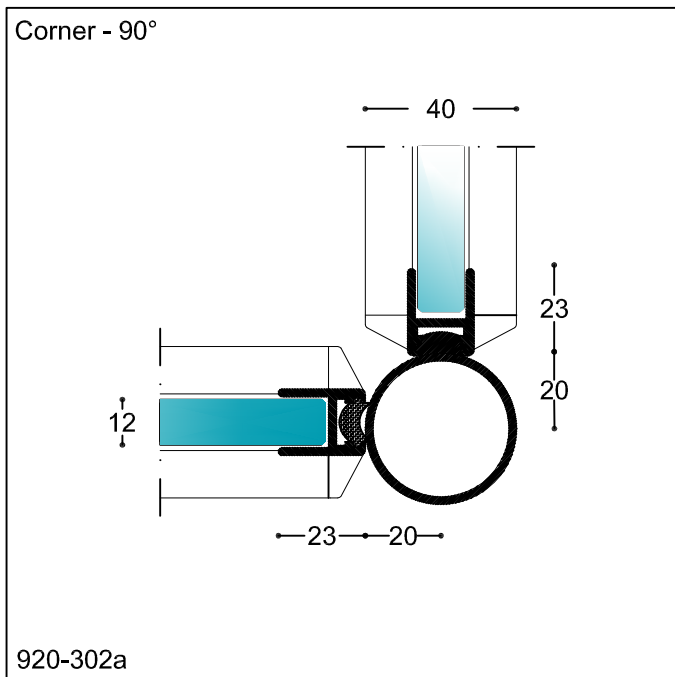


# Frameless Glass Mobile Partition SWG 920



**Description**

Panel joint - alu edge:  
Alu U-profile powder coated in RAL colors or anodized in std. color.

Panel joint - magnetic strip:  
Aluminium profile with a magnetic strip, powder coated in a RAL color or anodized in std. color.  
The magnetic force is about. 9 N / m

Corner and stack profiles are also delivered powder coated or anodised.

Top and bottom profile:  
Brush seal against the floor and suspension tracks can be supplied as an option.

920-302d

## 920-302

Type  
Corner - 90°  
Corner - 0-65°  
Fitting - brush seal  
Description

Scale 1:2  
Size in mm  
Date 23.04.12  
Rev.nr.:

**SWG**  
Scandinavian Wall Group AB  
Trastvägen 2  
89051 Långviksmon  
Telefon 0662-30265  
Telefax 0662-30260

e-mail: info@swg.nu  
homepage: www.swg.nu